



A MACLEAN-FOGG COMPANY

Roll Forming Plus[®]

Standard & Custom Roll-Formed Shapes

omcoform.com

The structural shapes you will find in this catalog represent our standard line of roll-form shapes. The shapes shown can be produced from existing tooling, offering our customers a decided cost advantage.

For custom products specific to your industry, our team of engineers are standing by to evaluate your application and provide you with the most effective solution.

Depending upon specified shapes and circumstances, the following tolerances, will normally apply for gauges of mild steel in the 16 to 11 gauge range:

- ±1/32" on Fractional Dimensions
- ±.010 on Decimal Dimensions
- ±1 degree on Angular Dimensions
- ±1/2 degree per Foot Twist
- ±1/64" per Foot for Straightness
(Bow or Camber)

OMCO is one of the largest producers of roll-formed shapes, producing millions of feet of quality products each year. Diverse industries across the globe depend on us for prompt fulfillment of their roll-formed product needs.



Our facilities are equipped to roll-form a wide range of materials including carbon, galvanized and stainless steel, pre-painted steel, PVC coated steel, aluminum, brass, bronze and other mild to high strengths steels.

We can roll-form metals up to .375 inch thickness, widths to 30 inches, with any length available.

Our Pre-Line and Post-Line operations allow our customers to achieve additional cost advantage.

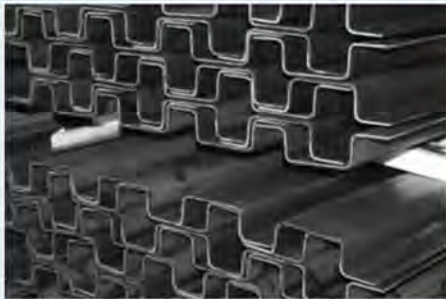
Pre-pierced and sheet mounting holes are available in standard pierce patterns.

We also supply secondary and finishing operations including welding, piercing, slotting, forming and notching, allowing us to fulfill your needs with a quality completed part.

For our transportation customers, we offer three standard slotting patterns:

- Type E (dogbone)
 - Type A (rectangular)
 - Type F (round)
- Slots are available single or double row.

Typical minimum order run 2K-5K feet.



CONTENTS

CUSTOM ROLL FORMING

- Angles 4
- U Channels 4
- C Channels 5
- Z Shapes 5
- Hat Shapes 6
- CRF Specialty Shapes 7
- Heavy-Wall Structurals 7
- Steel Dunnage Bars 8
- Strut Channel Line 8

TRANSPORTATION

- Side Wall Posts 9
- Logistic Side Posts 9
- Low Profile Posts 10
- Slat Liner 10
- Front Wall Posts 10
- Roof Bows 11
- Stake Body Post/Hemmed Slat Liner 12
- Cargo Control Track 13
- Mid-Guard II Scuff Plate 14
- OMCO XD Scuff 15
- Hat & "Z" Shapes 17

Angles

Our roll formed **angles** are offered in many standard stock tooled shapes. Dimensions, gauges and lengths are available in different combinations and can be roll formed to your specifications.



Thickness		A	B
Gauge	Decimal		
3	0.240	1" - 5"	1" - 5"
4	0.224	1" - 5"	1" - 5"
5	0.209	1" - 5"	1" - 5"
6	0.194	1" - 5"	1" - 5"
7	0.179	1" - 5"	1" - 5"
8	0.164	1" - 5"	1" - 5"
9	0.149	1" - 5"	1" - 5"
10	0.134	1" - 5"	1" - 5"
11	0.120	.75" - 5"	.75" - 5"
12	0.105	.75" - 5"	.75" - 5"
13	0.090	.75" - 5"	.75" - 5"
14	0.075	.75" - 5"	.75" - 5"
15	0.067	.75" - 5"	.75" - 5"

Many Sizes CUSTOMIZED To Your Needs

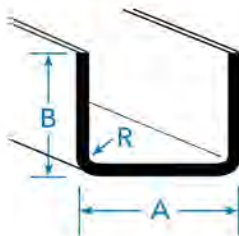
Thickness		A	B
Gauge	Decimal		
16	0.0598	0.5"	0.5"
16	0.0598	.75" - 5"	.75" - 5"
17	0.0538	.75" - 5"	.75" - 5"
18	0.048	.625" - 5"	.625" - 5"
19	0.0418	.625" - 2"	.625" - 2"
20	0.035	.625" - 2"	.625" - 2"
21	0.0329	.625" - 2"	.625" - 2"
22	0.0299	.625" - 2"	.625" - 2"
23	0.0269	.625" - 2"	.625" - 2"
24	0.0239	.625" - 2"	.625" - 2"
25	0.0209	.625" - 2"	.625" - 2"
26	0.0179	.625" - 2"	.625" - 2"

Many Sizes CUSTOMIZED To Your Needs

U Channels

Standard channels are roll formed in a multitude of cross sectional dimensions with gauges ranging from .020 to .375, rolled to any length.

U Channel Standard



Thickness		A	B
Gauge	Decimal		
3	0.239	3" - 10"	1" - 4"
4	0.224	3" - 10"	1" - 4"
5	0.209	3" - 10"	1" - 4"
6	0.194	3" - 10"	1" - 4"
7	0.179	3" - 10"	1" - 4"
8	0.164	3" - 10"	1" - 4"
9	0.149	3" - 10"	1" - 4"
10	0.134	3" - 10"	1" - 4"
11	0.120	2" - 8"	.75" - 3"
12	0.105	2" - 8"	.75" - 3"
13	0.090	2" - 8"	.75" - 3"
14	0.075	2" - 8"	.75" - 3"
15	0.067	2" - 8"	.75" - 3"
16	0.060	2" - 8"	.75" - 3"
18	0.050	2" - 8"	.75" - 3"
22	0.030	2" - 8"	.75" - 3"

Many Sizes CUSTOMIZED To Your Needs

Many Sizes Customized To Your Needs

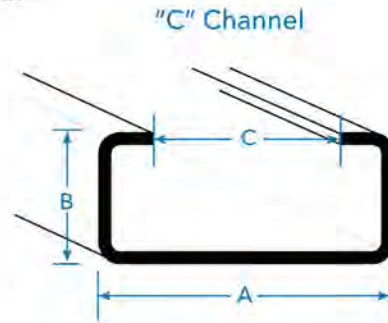
Contact Your Sales Rep

C Channels

Standard channels are roll formed in a multitude of cross sectional dimensions with gauges ranging from .020 to .375, rolled to any length.

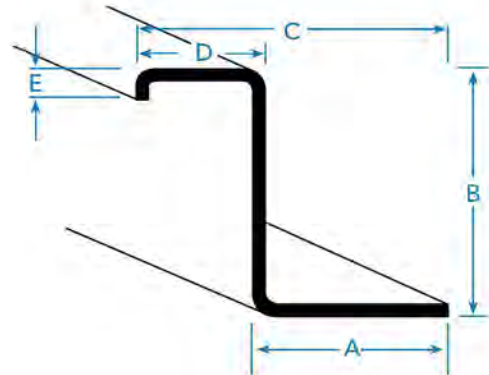
Thickness		A	B	C
Gauge	Decimal			
3	0.239	3	3	Various
7	0.179	3	3	Various
10	0.134	2.125	2.125	0.328
11	0.120	2	1	0.56
11	0.120	3	1.25	2.06
12	0.105	1.875	0.75	0.625
12	0.105	2	2	0.63
12	0.105	2.125	2.125	0.328
12	0.105	3	1.25	
14	0.075	4.5	2	2.126
14	0.075	4.706	2.206	2.956
14	0.075	6.94	2.5	0.81

Many Sizes CUSTOMIZED To Your Needs



Z Shapes

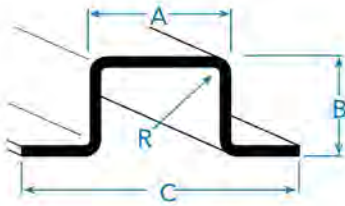
We offer a selection of stock tooled **Z shapes** in a wide range of gauges and configurations. Our roll formed Z shapes are utilized in a variety of manufacturing applications.



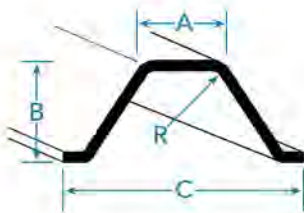
Hat Shapes

The roll formed **hat shapes** shown here are available in various sizes with any length available. We offer a wide variety of standard tooled hat shapes. Hat shapes are widely used for structural support offering the highest strength to weight ratio of any open roll formed section.

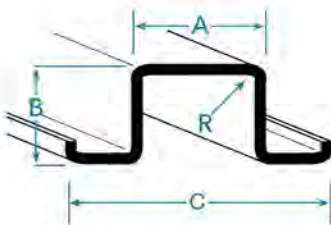
Standard



Slope Side



Return Flange



Thickness		A	B	C
Gauge	Decimal			
8	0.164	4.00	1.97	6.00
10	0.134	3.00	1.94	6.00
12	0.105	3.00	0.50	5.00
12	0.105	2.75	0.69	5.00
12	0.105	2.81	0.69	5.47
12	0.105	3.00	0.69	5.00
12	0.105	2.75	1.12	5.00
12	0.105	2.75	1.25	4.81
12	0.105	1.65	1.88	3.00
12	0.105	3.00	2.03	5.25
13	0.090	2.81	0.66	5 - 5.468"
14	0.075	2.75	0.50	5.00
14	0.075	3.00	0.56	5.00
14	0.075	2.81	0.69	5.47
14	0.075	3.00	0.69	5.00
14	0.075	2.00	1.00	3.50
14	0.075	2.75	1.06	5.25
14	0.075	2.75	1.07	5.25
14	0.075	1.50	1.08	3.25
14	0.075	2.75	1.12	5.00
14	0.075	3.00	1.12	5.00
14	0.075	2.75	1.25	5.00
14	0.075	1.50	1.31	2.62
14	0.075	1.50	1.31	3.25
14	0.075	1.50	1.31	4.00
14	0.075	1.75	1.31	3.50
14	0.075	2.50	1.31	4.25
14	0.075	3.00	2.00	5.00
14	0.075	2.75	3.25	5.25
15	0.067	2.75	1.07	5.25
16	0.060	2.00	0.88	3.75
16	0.060	2.00	1.00	3.50
16	0.060	2.00	1.06	3.75
16	0.060	2.75	1.07	5.25
16	0.060	2.75	1.12	5.00
16	0.060	3.00	1.12	5.00
16	0.060	2.50	1.31	5.00
16	0.060	2.62	1.31	5.00
16	0.060	1.25	1.38	3.00
16	0.060	1.04	1.50	2.75
16	0.060	2.62	1.56	4.50
16	0.060	2.62	3.25	5.00
16	0.060	2.00	1.00	3.44
16	0.060	1.50	1.00	4.19
17	0.060	2.75	1.07	5.25
18	0.048	2.00	1.00	3.50
18	0.048	2.75	1.07	5.25
18	0.048	2.62	1.31	5.25
20	0.035	2.57	1.54	4.50

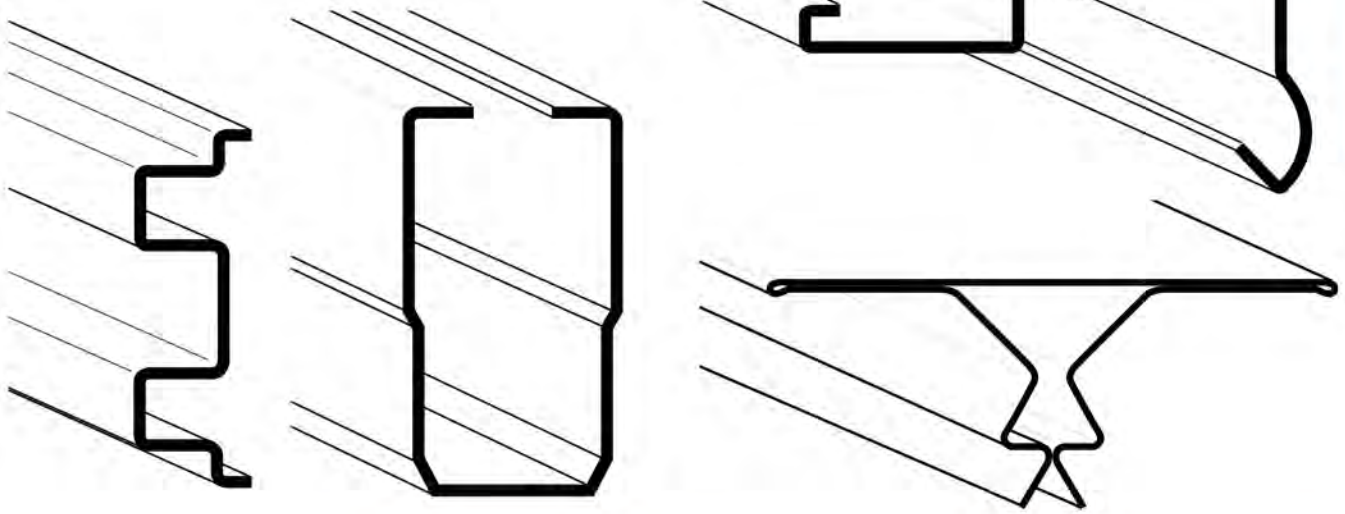
Many Sizes CUSTOMIZED To Your Needs

Gauges available from .020 to .395

Contact Your Sales Rep

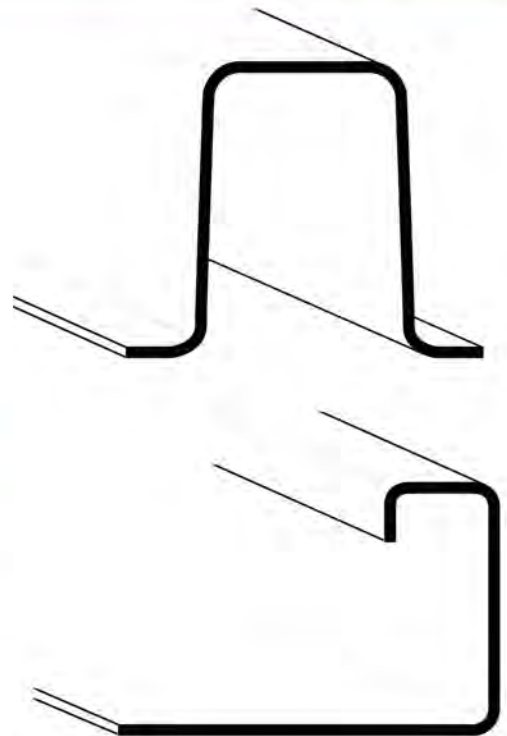
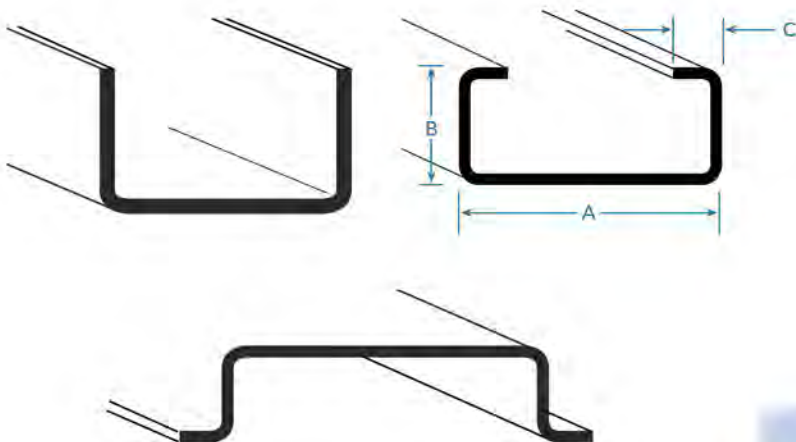
CRF Specialty Shapes

The Specialty Shapes shown are a sampling of the various shapes we have produced for our customers with custom tooling. Our engineering staff is available to help with any of your design needs to ensure the most effective solutions to your industries needs.



Heavy-Wall Structurals

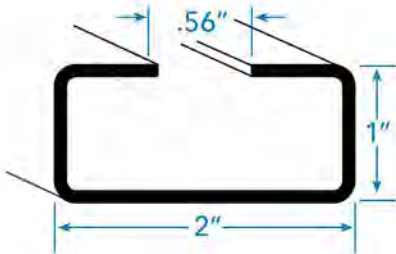
Our custom roll formed **heavy-wall structurals** extend to our customers the advantages of our one piece lengths versus a fit up and splicing of press braked forms. Our customer gains the added assurance of structural uniformity while eliminating the time and costs associated with misalignment. Our in line and secondary operations give our customer an additional advantage with a completed part ready for installation.



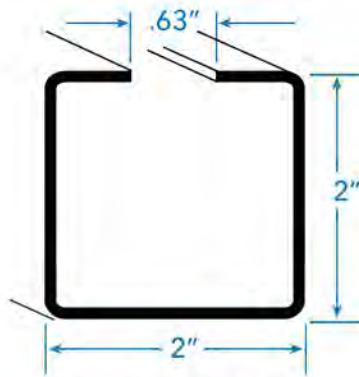
Thickness through 3/8"

Steel Dunnage Bars

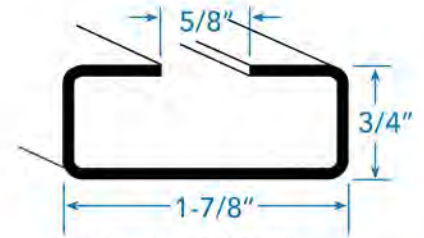
Open seam **tubes** are available in any length. We offer square and rectangular tubes in various gauges and dimensions. We also offer in line piercing for your special needs.



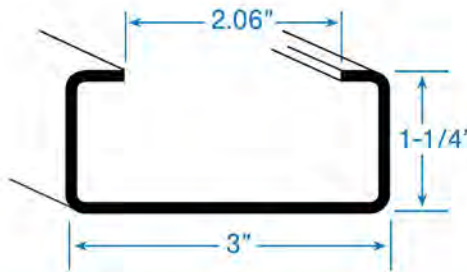
Part Number T3440-11
11 Ga. 2" x 1" Square Dunnage Bar
11 GA. 45ksi
110" and 44" Stock Lengths
Weight Each: 1.19#/ft.



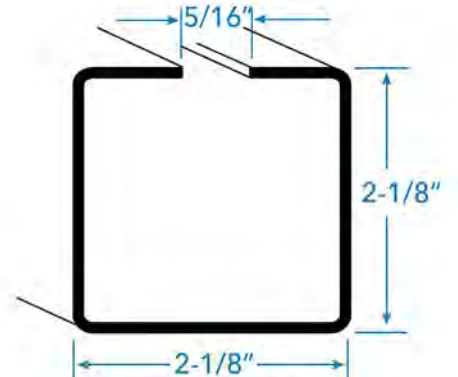
Part Number T3338A-12
12 Ga. 2" Square Dunnage Bar
12 GA. HR-50ksi
110" Stock Length
Weight Each: 1.19#/ft.



Part Number T32973-12
12 Ga. 1-7/8" x 3/4" Dunnage Bar
12 GA. HR-P&O-CQ
110" and 104" Stock Lengths
Weight Each: 1.35#/ft.



Part Number T2112A-11
11 Ga. 3" Slide Channel Dunnage Bar
11 GA. HR-P&O-CQ 120" Stock Length
Weight Each: 2.35#/ft.

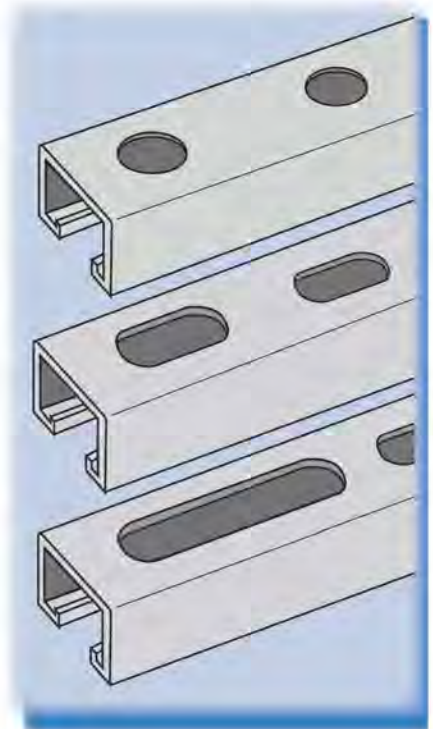
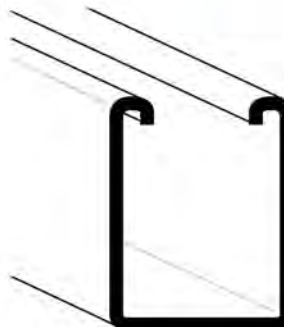
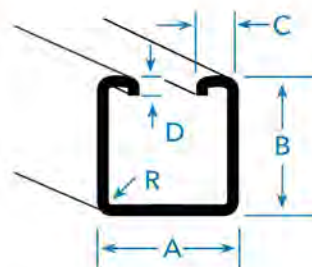


Part Number T3426-10 10 Ga.
2-1/8" Square Dunnage Bar 10 GA.
HR-50ksi 110" Stock Length
Weight Each: 3.29#/ft.

Strut Channel Line

Our Steel Strut Framing Channel, the one product of roll formed metal products that satisfy the diverse industrial applications of customers world-wide.

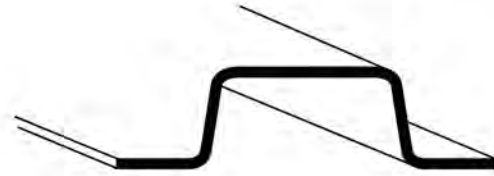
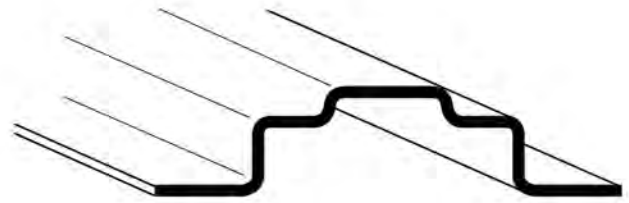
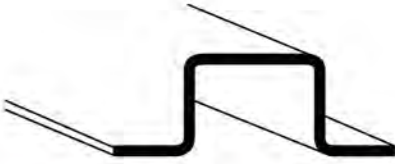
- Wide Variety of sizes and styles for most applications
- Strut finishes in standard hot rolled, pre-galvanized or pre-painted.
- Standard as well as SPECIAL gauges to meet your exact specifications. Standard and custom.
- Slotted hole patterns
- Custom Lengths Available



Thickness		
Gauge	A	B
12	1.625	0.937
14	1.625	1.625

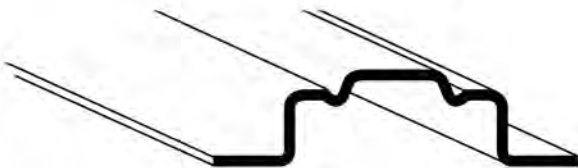
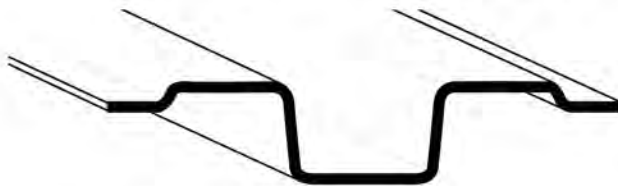
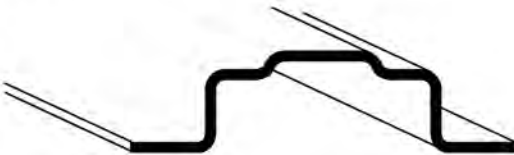
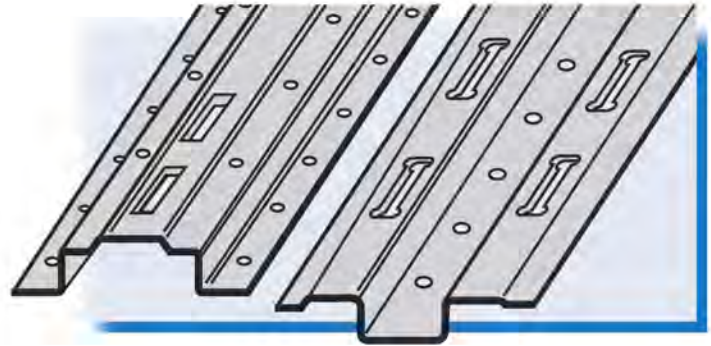
Side Wall Posts

Our roll formed **side wall posts** extend high quality standards to the truck and trailer builder and their customers. Hi-tensile galvanized steel saves weight and maintains strength. We have a variety of standard styles, including low profile and logistic side posts. Section heights are available from 3/8" to 2-5/8" deep. Pre-pierced mounting holes and optional plywood sheet holes are available.



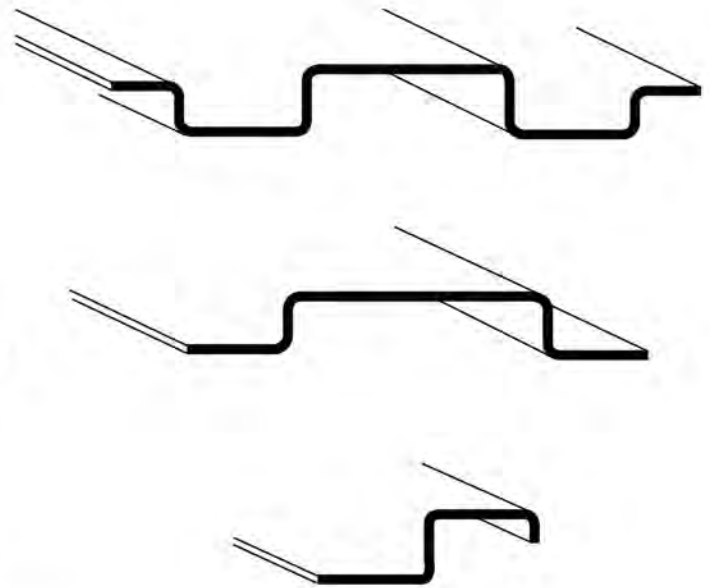
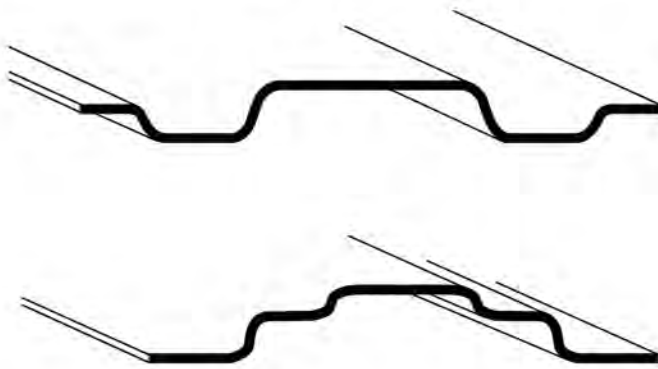
Logistic Side Posts

Our standard roll formed **logistic side posts** are available single row or double row depending upon your truck or trailer construction techniques. Our logistic side posts can be slotted with your choice of logistic style slots. Pre-pierced plywood sheet holes and sheet mounting holes are offered. Logistic side posts are available in a wide range of gauges and materials, per your specification. Mounting holes, scuff mounting holes and track mounting holes are available.



Low Profile Posts

Our roll formed **low profile posts** allow our customers to achieve maximum interior space. Shallower depth provides greater cargo space and the posts can be slotted with logistic style slots. Uniform cross sectional dimensions allow for precision installation and can be pre-pierced with standard pierce patterns.



Slat Liner

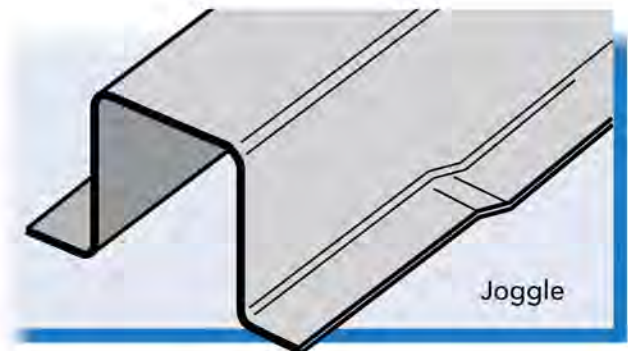
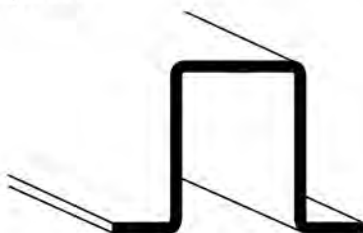
Our roll formed **tie slat** has closed edges and are frequently used as stringers and side members. Other applications include use as light duty rub rails.

Our galvanized **plywood dividing strip** can be used as an interior tie down.



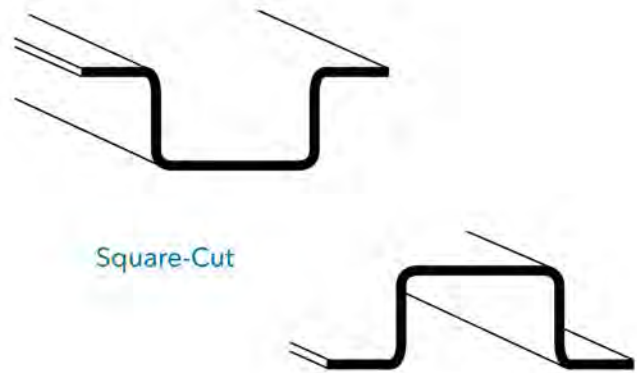
Front Wall Posts

We offer a variety of standard roll formed shapes for your **front wall posts**. The posts are available in various standard heights with or without offset joggle. Material thickness range from .055 through .105 with pre pierced mounting holes available, and an offset end treatment is available where required.

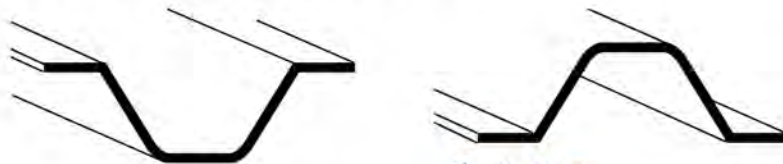


Roof Bows

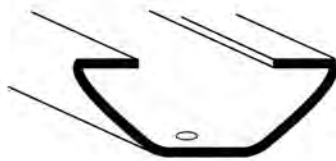
We offer a wide selection of standard tooled **roof bows**. The choices include One-Piece, Three-Piece, Hat Section, Anti-Snag, or Anti-Snag II roof bows. Depending upon your application, roof bows can be straight or arched to your specifications. The Hat Section, Anti-Snag and Anti-Snag II roof bows are available in different heights to fit your design needs. Pre-pierced mounting holes are provided for ease in installation. Our roof bows are generally produced in hot dipped galvanized material and are suitable for use with both fiberglass and aluminum roofs.



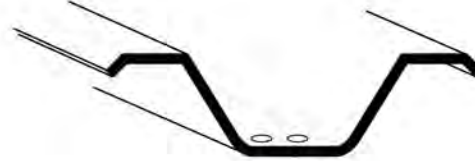
Square-Cut



Sloping Hat



Anti-Snag



Anti-Snag II



Three-Piece

Three-piece roof bow with clips riveted to each end of bow. Offset end surface clears roof at side-rail connection. Supplied in 16 Ga. hot dipped pre-coated galvanized steel.



One-Piece

One-piece clip-style formed and arched roof bow with offset end to clear roof sheet at side rail interface.



Hat-Shaped Arched

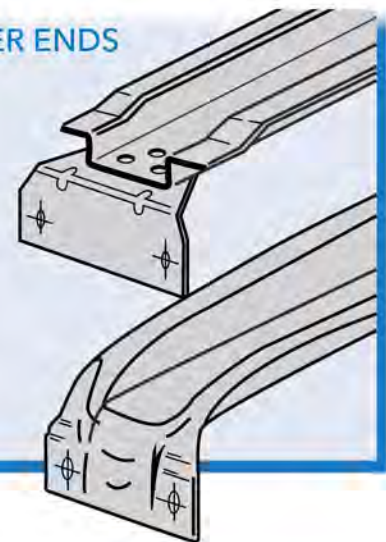


Hat-Shaped Flat



Anti-Snag Arched

HEADER ENDS



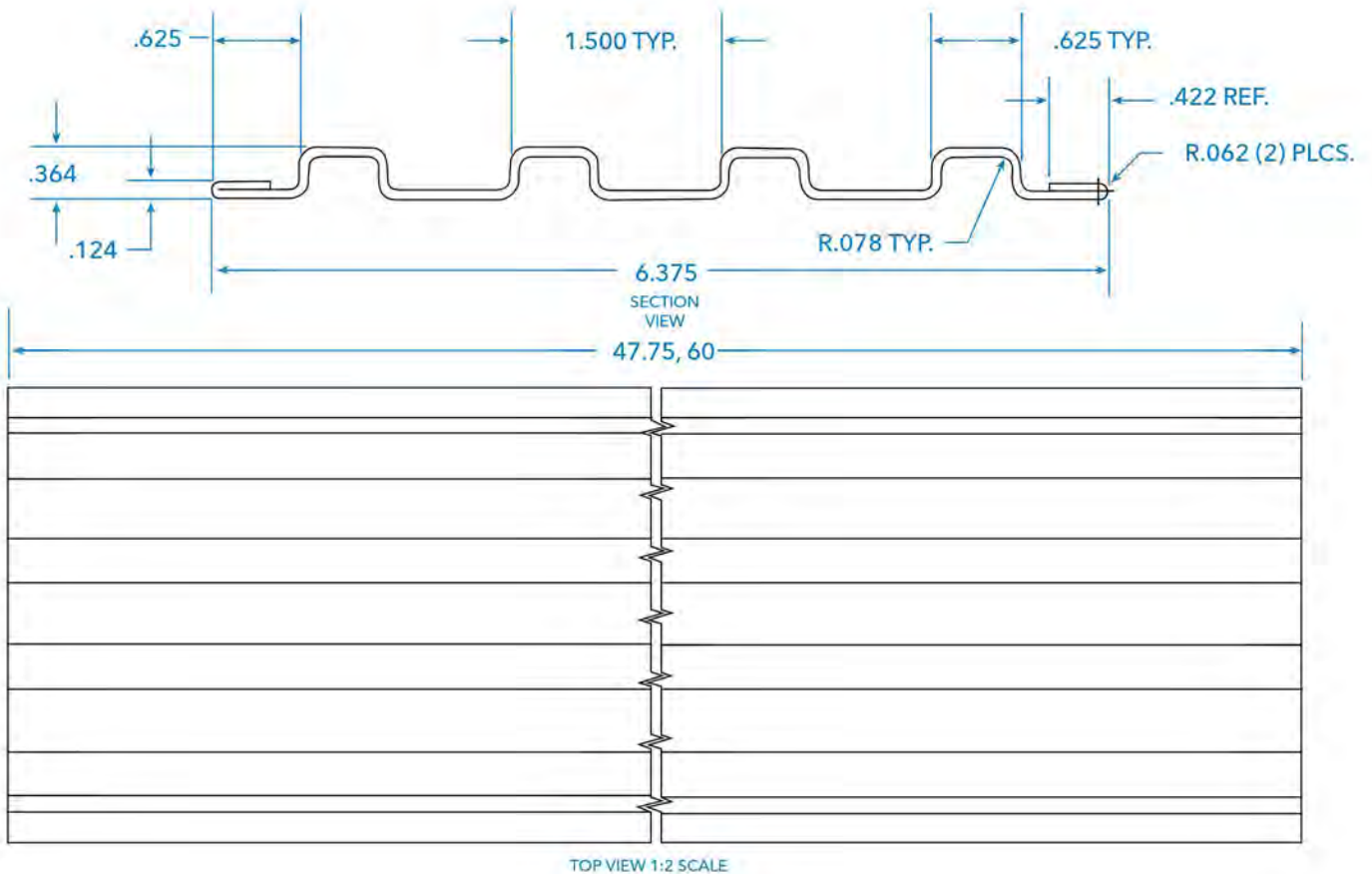
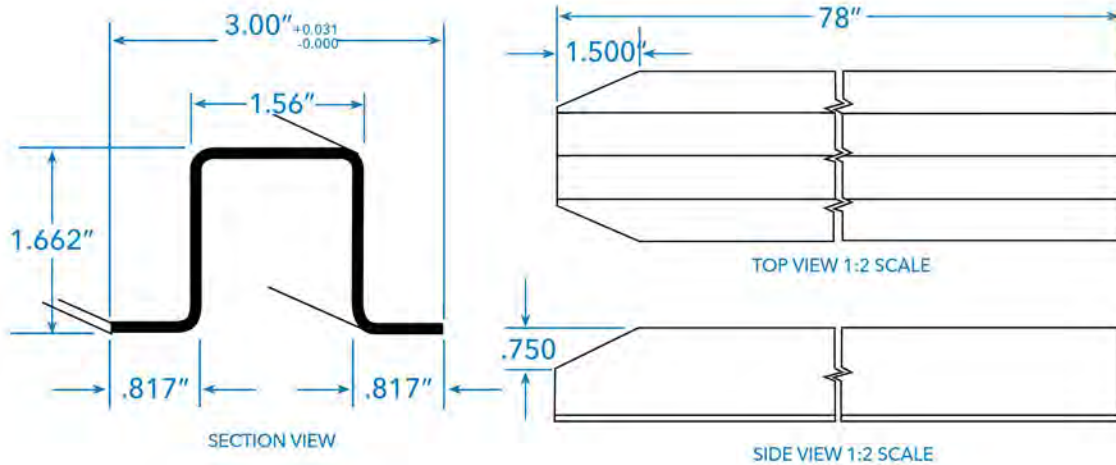
Piercing Available

Contact Your Sales Rep

Stake Body Post/Hemmed Slat Liner

Our roll formed flat bed rails are produced in high strength steel to 80,000 minimum yield for lightest weight and greatest strength. They are available in formed rail profiles or standard channels with lengths in excess of 53 feet. Standard throat opening (A) is available for 4" and 6" crossmembers.

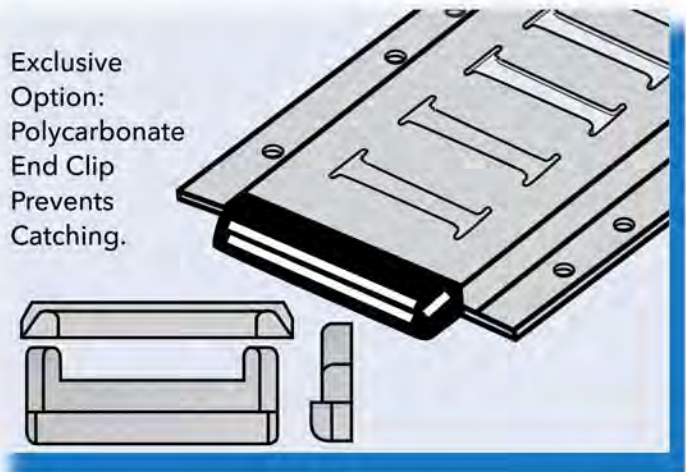
Other lengths can be produced to fit your specifications.



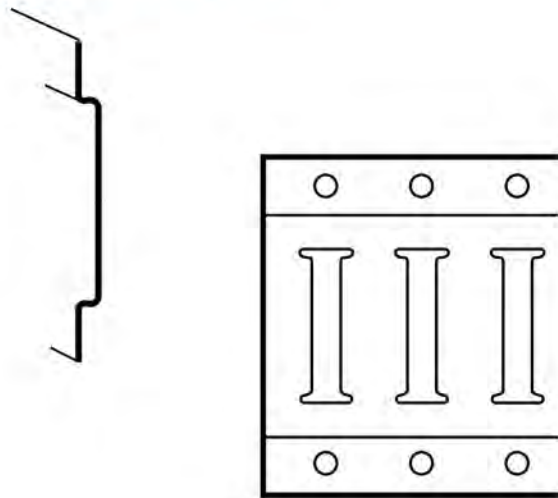
Cargo Control Track

We offer an extensive line of standard tooled **cargo control track** utilizing Series E, A and F slotting patterns. Cargo control track is produced using galvanized, stainless steel or a powder coat finish in standard green, black, gray or the color of your choice. Pre pierced plywood lining and sheet mounting holes are available. We also offer our exclusive polycarbonate end clip to reduce catching during loading and unloading. The galvanized and stainless steel cargo control track is available in any length.

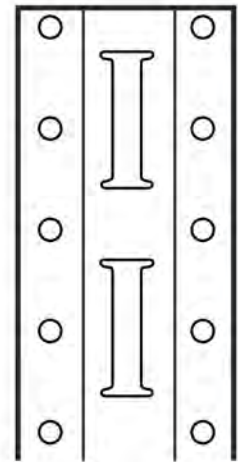
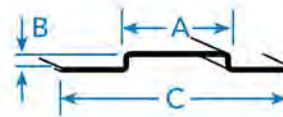
Exclusive Option:
Polycarbonate End Clip Prevents Catching.



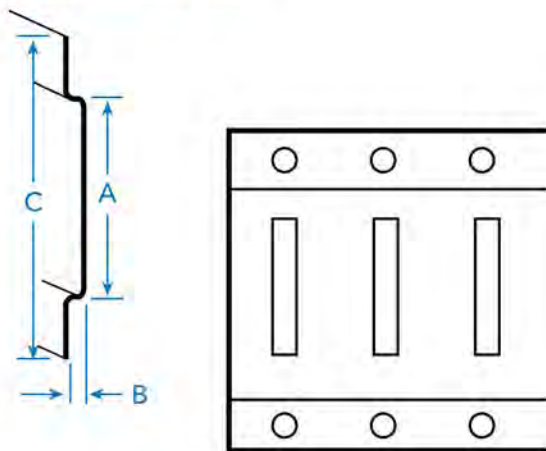
Series E Horizontal Track



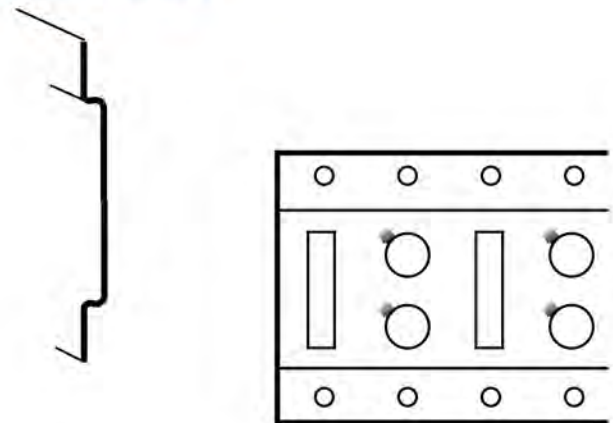
Series E (shown) or A Vertical Track



Series A Horizontal Track



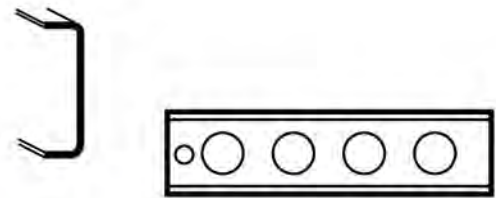
Combination Track



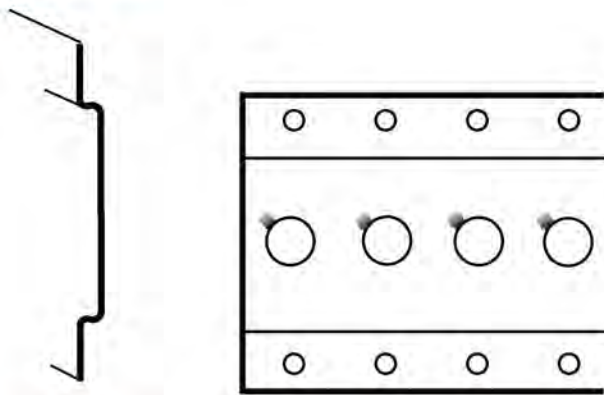
Cargo Control Track **cont'd.**

Using our extensive line of Cargo Control track with any specified lengths saves installation time and costs by reducing unnecessary welding. This practice also increases product life and stability. Our E series track accepts series E end fittings, beam sockets and decking/shoring beams. Series A accepts F fittings and equipment. Our F track is designed to accommodate F series shoring bars and fittings. Our combination track offers both a series A slot and a double L series. This combination track allows you to use your series A, E, F and L end fittings to secure your loads with straps or beams.

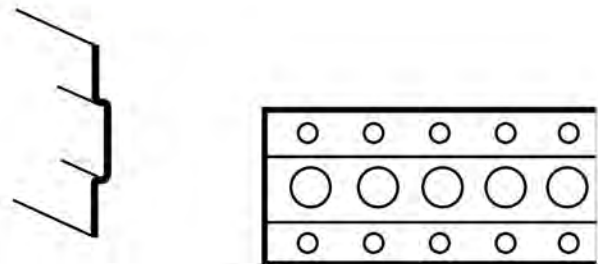
Floor Channel



Series L Track



Series F Track

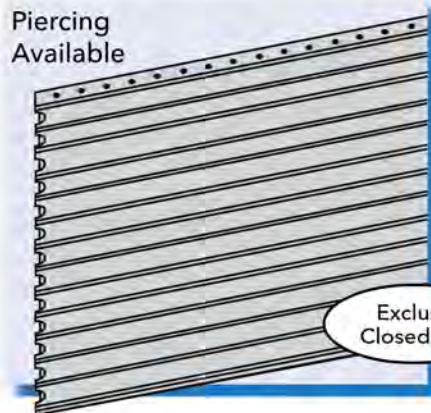


Mid-Guard II Scuff Plate

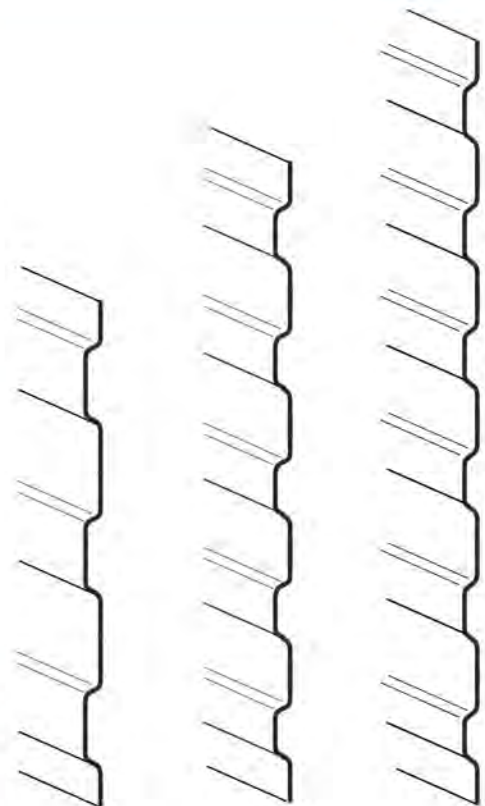
Our **Mid-Guard II Scuff Plate** is produced in 16 and 18 gauge high strength, light weight steel allowing our customer to maintain strength while reducing weight, increasing cube and lowering cost. Mid-Guard II Scuff Plate is available in 6", 10-1/4", 12", 18-3/4", 24" and 26" widths in lengths in excess of 53 feet. Our Mid-Guard II Scuff Plate is designed to stand up to the wear and tear caused by fork lifts and palletized loads while affording our customer a cost effective product.

Pre-punching is generally available in production for all of our different scuff plates. We offer pre-pierced mounting holes or slots for ease in installation for new equipment and retrofitting.

Piercing Available



Exclusive Closed Ends



INTRODUCING

OMCO X^D SCUFF

EXTREME DUTY



OMCO X^D Scuff is engineered for fleets requiring Extreme Duty protection for sidewalls and flooring. It protects against damage ordinary scuff cannot, damage commonly caused by lift trucks and steel shipping racks.

New 1 Piece Design



Old Way: Welded Sections without leg

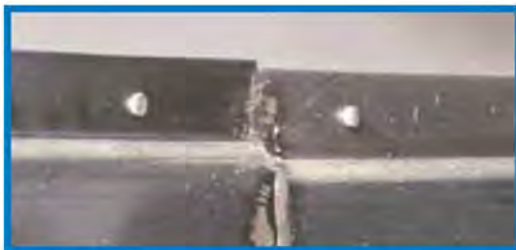


Plate steel sections need welding and have snag points. Will rust if left untreated.

• Extreme Durability

• Galvanized one piece scuff

• Counter sunk holes to eliminate snag points.

• No welding required

• Ease of installation

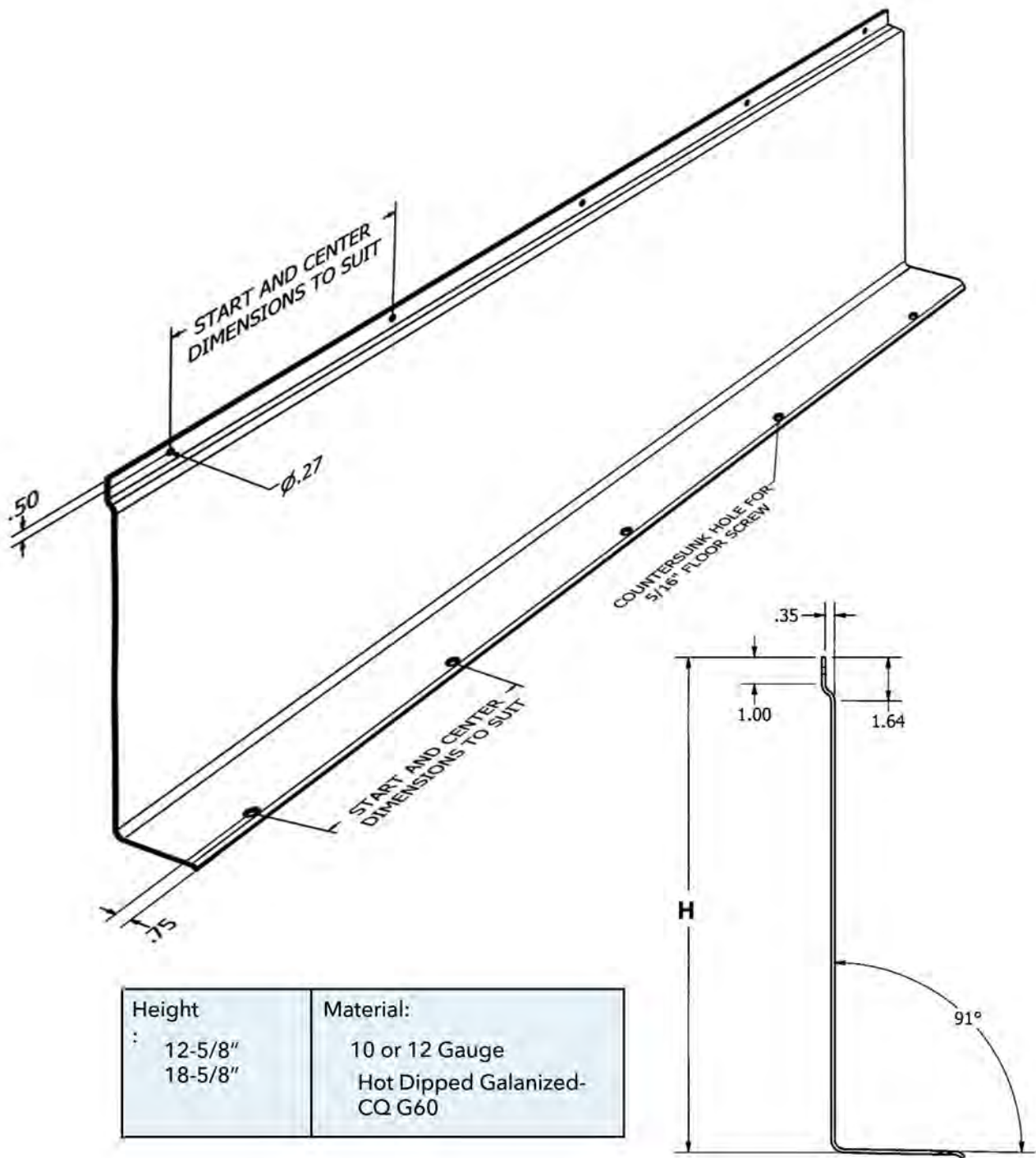
• Top edge offset to protect fasteners

• Available in 10 & 12 gauge

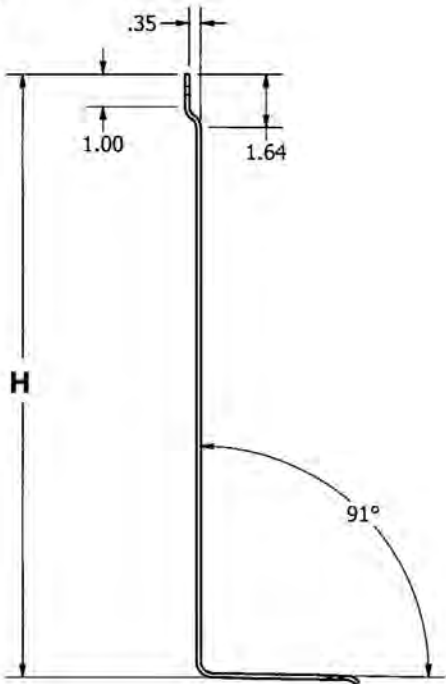
• Innovative scuff design

• Floor lip turn down to increase life of the scuff while providing a snag free surface





Height	Material:
12-5/8"	10 or 12 Gauge
18-5/8"	Hot Dipped Galvanized-CQ G60



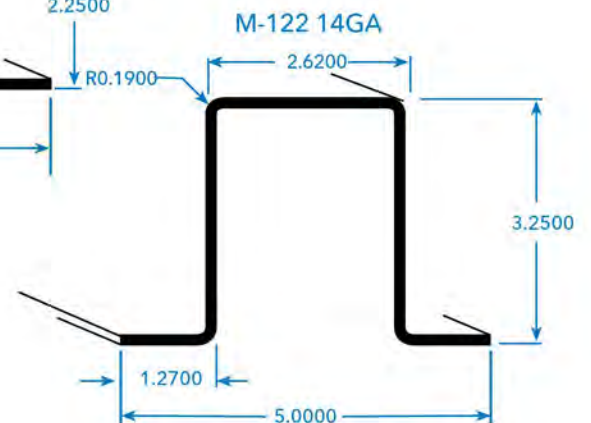
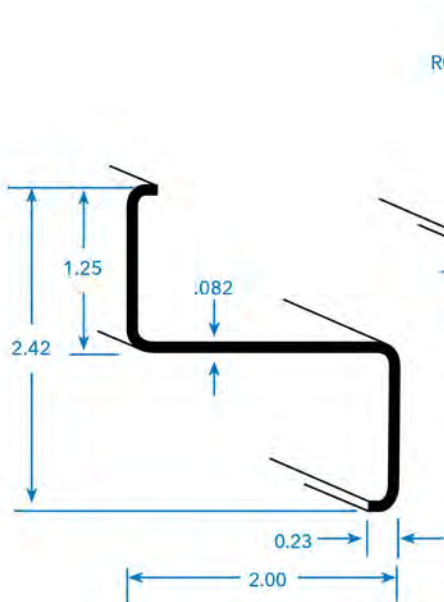
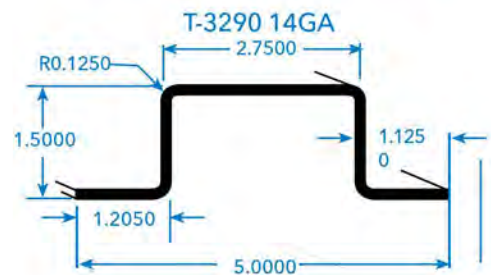
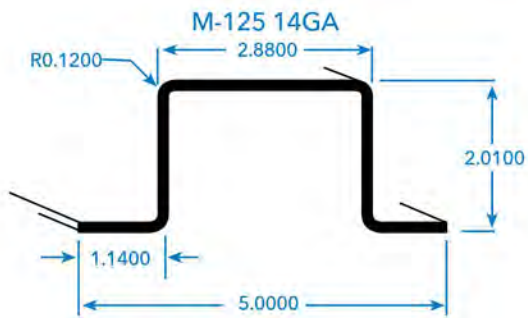
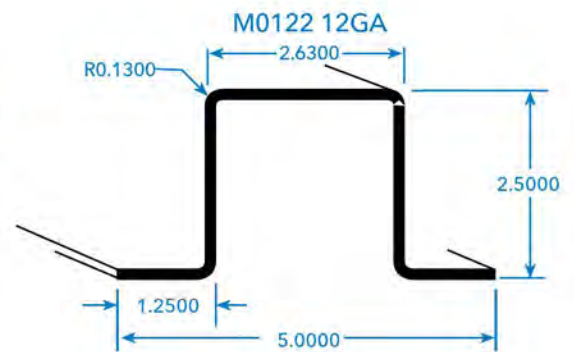
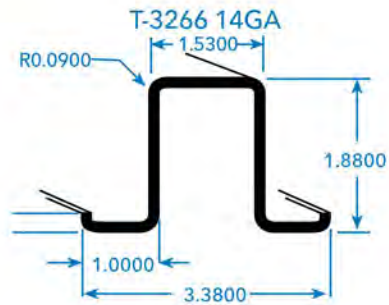
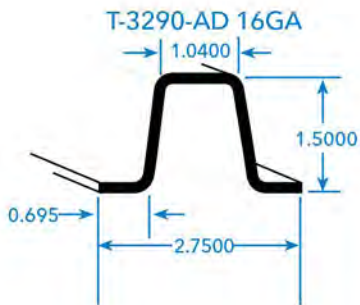
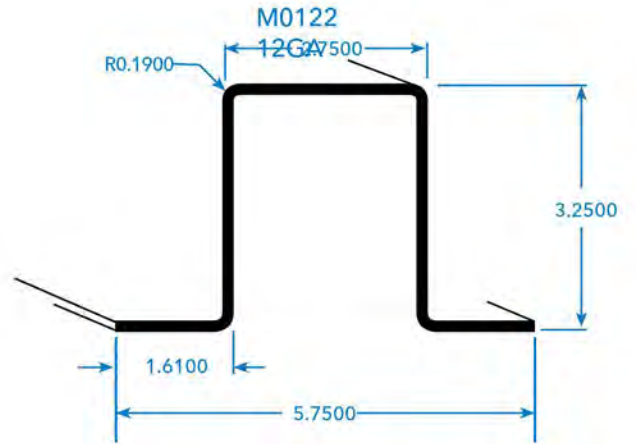
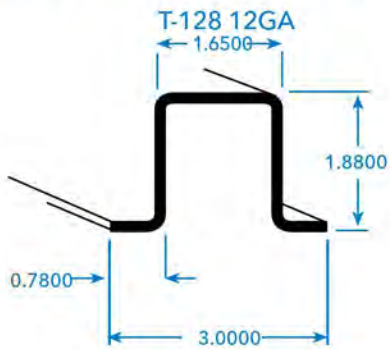
For over 70 years, OMCO® has provided highly engineered and innovative roll formed parts to the trailer industry.

We provide roll formed sections up to .375 inches thick, 30 inches wide with any length available.

Secondary and finishing capabilities include piercing, slotting, forming, notching, welding and painting.

To speak with a sales representative or request a catalog, please call 440-944-2100 or visit our website at www.omcoform.com.

Hat & "Z" Shapes





Roll Forming Plus™

A MACLEAN-FOGG COMPANY



Ohio

30396 Lakeland Boulevard
Wickliffe, Ohio 44092
Phone: 440-944-2100
Fax: 440-944-8309

Indiana

1 Arnolt Drive
Princeton, Indiana 46562
Phone: 574-594-2100
Fax: 574-594-2847

Arizona

4550 W Watkins St
Phoenix, Arizona 85043
Phone: 602-352-2700
Fax: 602-352-2701

Hunstville, AL

26385 Distribution Blvd NW
Suite 500,
Madison, AL 35756
Phone: 256-362-3614
Fax: 256-362-7027

Talladega, AL

1200 Ward Ave
Talladega, AL 35160
Phone: 256-362-3614
Fax: 256-362-7027