



On the Attack

vs.

Your Seamless Defense

The Enemy: Fork Lift Tines & Steel Shipping Racks

OMCO XD SCUFF® and XD RubRail™ trailer liner are engineered for fleets requiring Extreme Duty protection for sidewalls and flooring. They protect against damage ordinary scuff cannot, damage commonly caused by tow motors and steel shipping racks.

OMCO XD SCUFF & XD RubRail liners feature:

- Extremely durable galvanized steel
- Seamless, solid, full-length scuff (no welding)
- Counter sunk holes to eliminate snag points
Top edge offset to protect fasteners
- Floor lip turn down to increase scuff life and provide a snag free surface
- Available in 10 & 12 gauge



OMCO XD SCUFF®

**Extreme Duty
Protection**

OMCO XD RubRail™



A MACLEAN-FOGG COMPANY



Seamless Protection for Any Length Trailer

Protect Your Investment

Protect your sidewalls and flooring from tow motor and steel container damage with OMCO's XD SCUFF and XD RubRail liner.

Extreme Duty Design

OMCO XD SCUFF is available in 10 or 12 gauge galvanized steel to provide superior durability, maximum protection and long life. Designed to be a more rugged alternative to plastic, wood, aluminum or light gauge steel scuff.

Order the Perfect Length

Eliminate the need to cut and weld multiple sections together. Order in any length to perfectly fit your fleet of trailers.

Choice of Heights and Hole Patterns

Select the scuff height that best fits your needs, either 12-5/8" or 18-5/8." Plus, customers specify both sets of hole patterns (starting point and center-on-center distance) with each order. Contact OMCO for minimum order quantities.

OMCO XD SCUFF Specifications

Height	Material Gauge	Approx. Weight per Foot
12-5/8"	12 ga	5.7 lbs/ft
	10 ga	7.5 lbs/ft
18-5/8"	12 ga	7.7 lbs/ft
	10 ga	10.0 lbs/ft

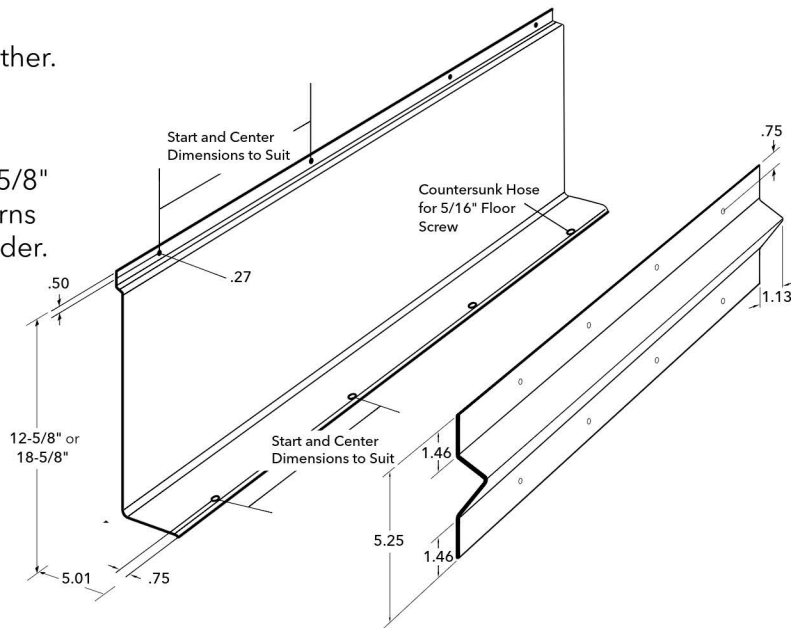
OMCO XD RubRail Specifications

Height	Material Gauge	Approx. Weight per Foot
5-1/4"	12 ga	2.0 lbs/ft



Design Features to Minimize Snag Points and Increase Service Life

- No welded seams to rust
- Offset top edge protects fasteners
- Floor lip turndown creates smooth transition to floor
- Counter sunk holes



30396 Lakeland Blvd.
 Wickliffe, OH 44092
 Phone: 440.944.2100
 Fax: 440.944.8309
 Email: sales@omcoform.com
 Web: omcoform.com